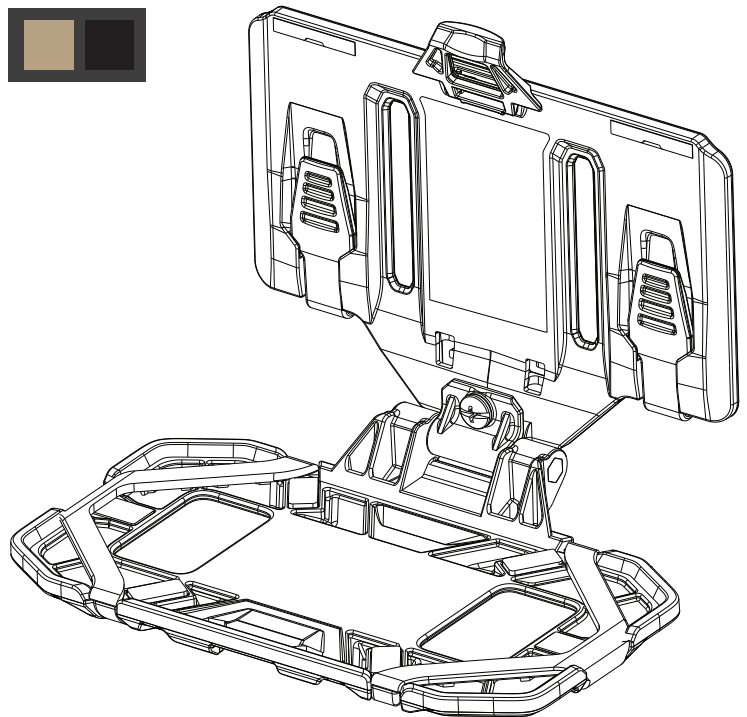




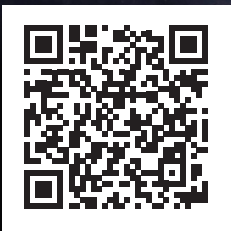
NAVBOARD®

FlipLite™

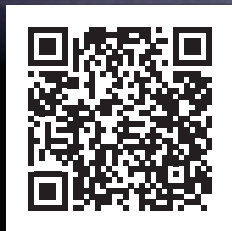
- Enhanced durability and performance
- Molded with impact modified Nylon
- Case agnostic - fits smart devices up to 3.5" W x 6.75" L x 0.6875" D with or without case
- Enables users to utilize their preferred case
- Adjustable friction hinge
- Silicone smart device retention straps featuring internal ribbing to prevent the straps from peeling off the user's smart device
- Bungee lock auto-stows out of the way and does not interfere while using a smart device
- Attaches to 4 x 2 MOLLE/PALS field via two mounting straps
- Rapid donning / doffing
- Integrated belly band slots
- **Patents Pending Foreign & Domestic**



NOT COMPATIBLE WITH
NAVBOARD® ZIPFLIP™ OR FLAP



OPEN CAMERA TO VIEW
USER INSTRUCTIONS
SSPGEAR.COM/
END-USER-INSTRUCTIONS



OPEN CAMERA TO VIEW
**S&S PRECISION'S
PATENT INFORMATION**
SSP-IP.COM



User Configurations

ON CARRIERS



NavBoard® FlipLite™
attached to PF-M™



NavBoard® FlipLite™
attached to PF-R™

ON HARNESSSES



NavBoard® FlipLite™
attached to CR-M™



NavBoard® FlipLite™
attached to ATH™



NavBoard® FlipLite™
attached to MTH™